

## ME Series Limit Switch



### 1 Product overview

ME series limit switch is used in AC 50Hz circuit with a rated voltage up to 380V or a DC voltage up to 220V and with a current 5A for automatic control of the machine machinery and for moving mechanism action limit and program control.

### 2 Type designation

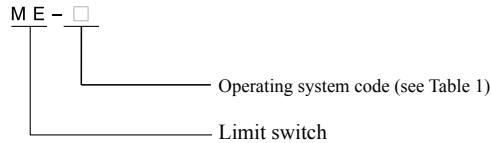


Table 1

Operating system code	Operating method
8104	Roller rotary arm
8107	Adjustable rotary rod
8108	Adjustable roller rotary rod
8111	Direct-pressure plunger type
8112	Direct-pressure plunger lateral wheel
8122	Direct-pressure plunger vertical wheel
8166	Universal spring soft rod
8169	
9101	

### 3 Product parameters

- 3.1 Rated insulation voltage  $U_i$ : 380V
- 3.2 Resistive current  $I_{th}$ : 5A
- 3.3 Rated working voltage  $U_e$ : AC 380V, DC 220V.
- 3.4 Rated working current  $I_e$ : AC 0.8A, DC 0.16A.
- 3.5 Rated control capacity: AC300va, DC20W.
- 3.6 Operating parameters see Table.

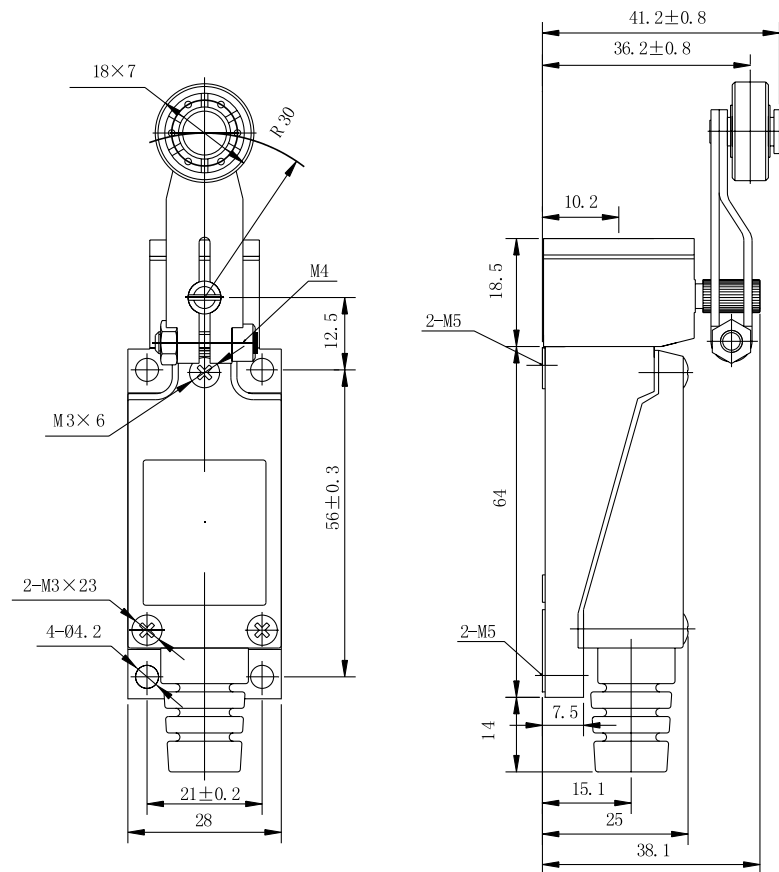
Model	Operating method	Action travel	Full travel	Operating force
ME-8104	Roller rotary arm	$\leq 20^\circ$	$\geq 75^\circ$	$\leq 6\text{ N}$
ME-8107	Adjustable rotary rod			$\leq (3.4 \sim 8)\text{ N}$
ME-8108	Adjustable roller rotary rod			$\leq (2 \sim 8)\text{ N}$
ME-8111	Direct-pressure plunger type	$\leq 1.5\text{ mm}$	$\geq 4\text{ mm}$	$\leq 9\text{ N}$
ME-8112	Direct-pressure plunger lateral wheel			
ME-8122	Direct-pressure plunger vertical wheel			
ME-8166	Universal spring soft rod	$\leq 30\text{ mm}$	-	$\leq 0.9\text{ N}$
ME-8169				
ME-9101				

## ME Series Limit Switch

### 4 Normal operation and installation conditions

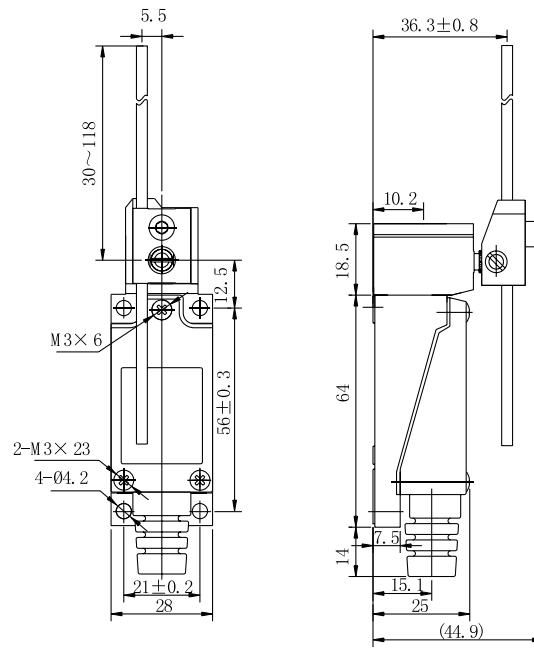
- 4.1 Ambient temperature:  $-5\text{ C} \sim +40\text{ C}$  .
- 4.2 Altitude: Not exceed 2000m.
- 4.3 Atmospheric conditions: The relative humidity does not exceed 50% when the ambient temperature is  $+40\text{ C}$  ; higher relative humidity is allowed at a lower temperature. The mean maximum relative humidity of the wettest month is 90%, and the mean month minimum temperature of this month is  $+25\text{ C}$  , and condensation on the product surface due to temperature changes shall be considered.
- 4.4 Pollution level: 2.
- 4.5 Installed at a place where there is no obvious shaking, impact or vibration.
- 4.6 Install before or after the plate, fixed with screws, and mounted at any angle.

### 5 Outline and installation dimensions

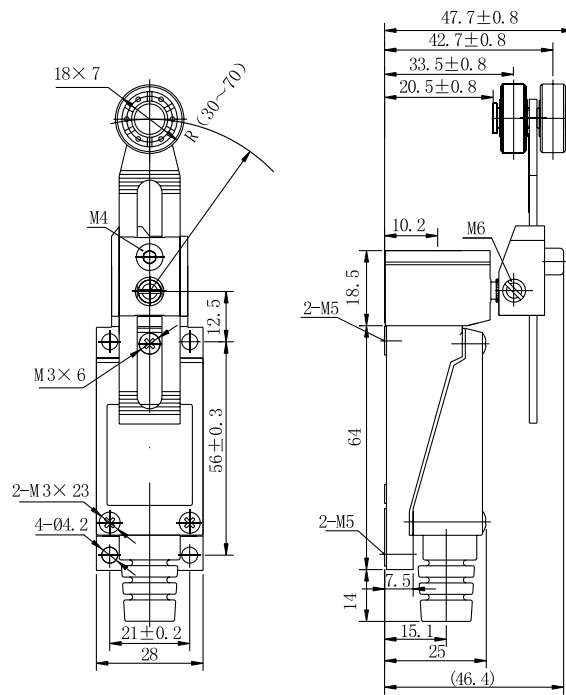


ME-8104

## ME Series Limit Switch

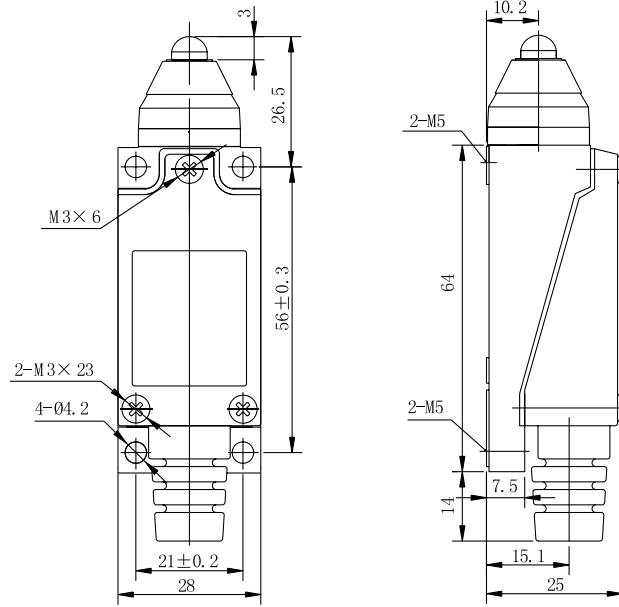


ME-8107

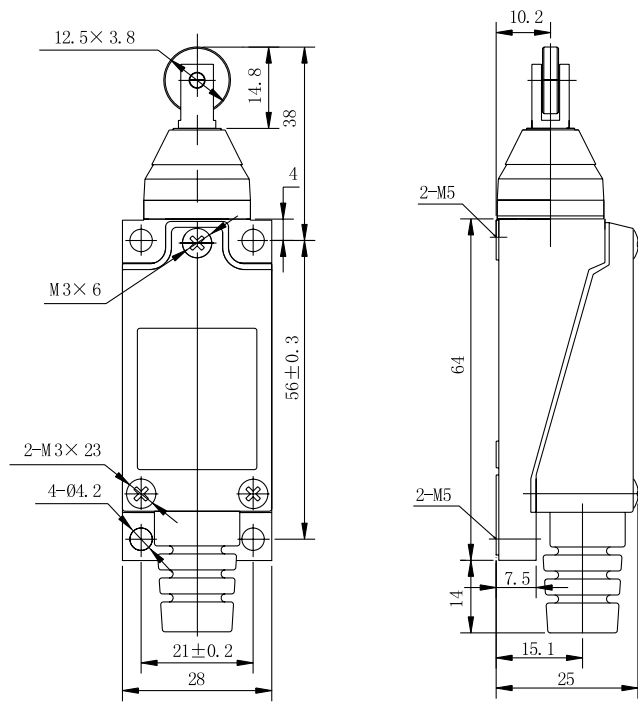


ME-8108

## ME Series Limit Switch

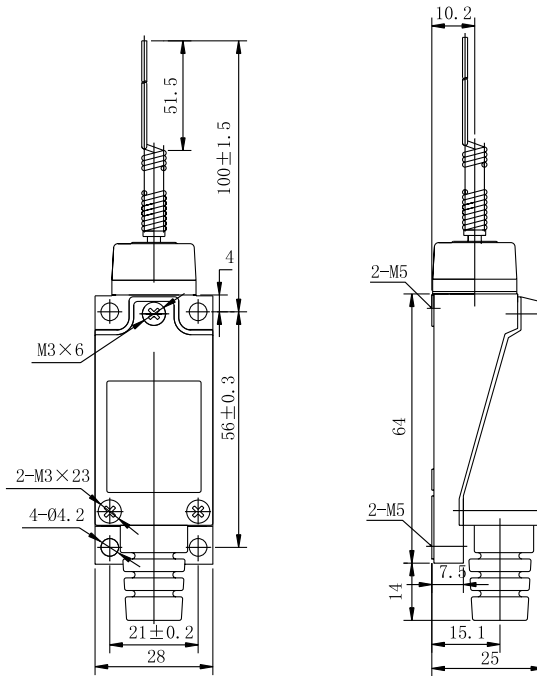


ME-8111

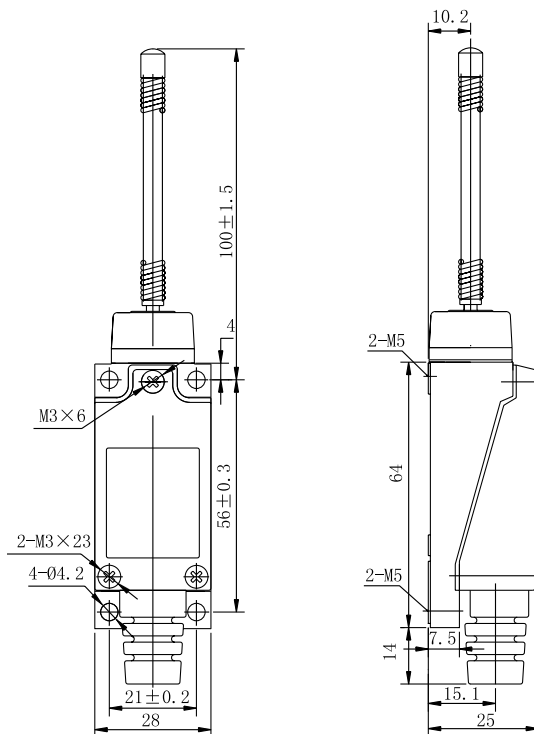


ME-8112

## ME Series Limit Switch

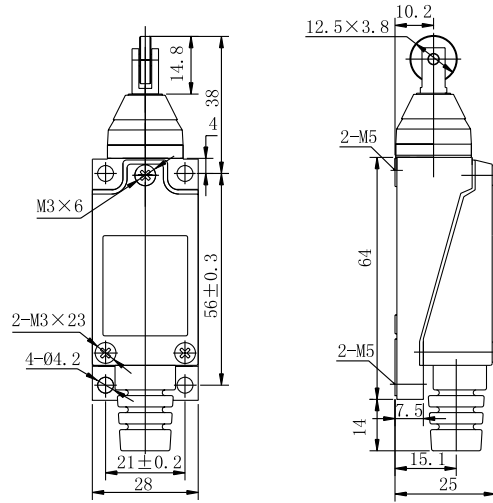


ME-8169

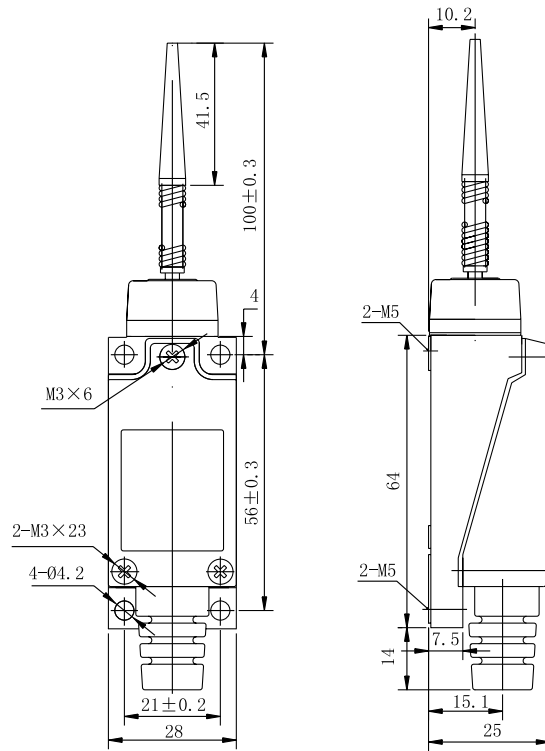


ME-9101

## ME Series Limit Switch



ME-8122



ME-8166

### 6 Order information

Please specify the following items when ordering the product from our company:

- a. Product model and name
- b. Order quantity.